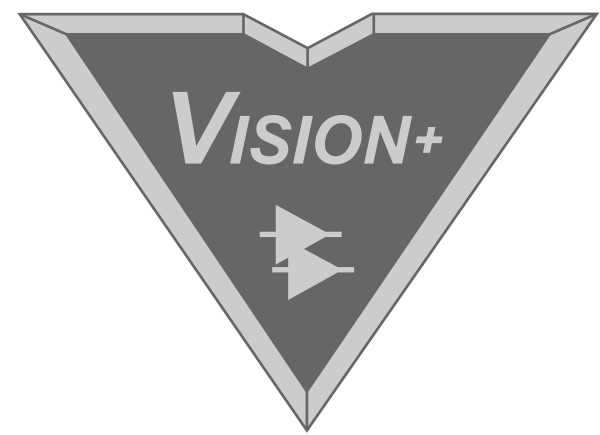
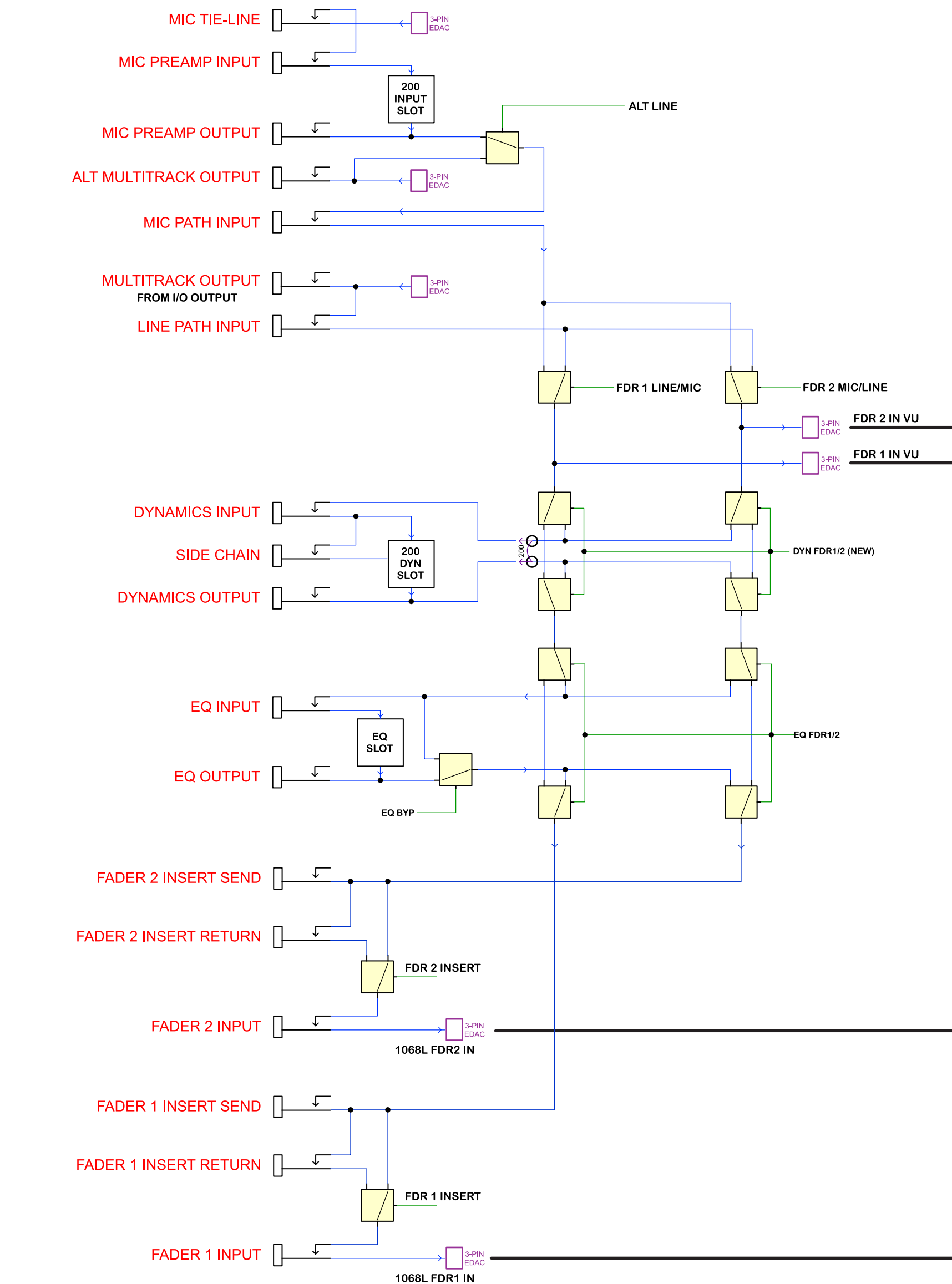




VISION+ 1068L Input Module Block Diagram

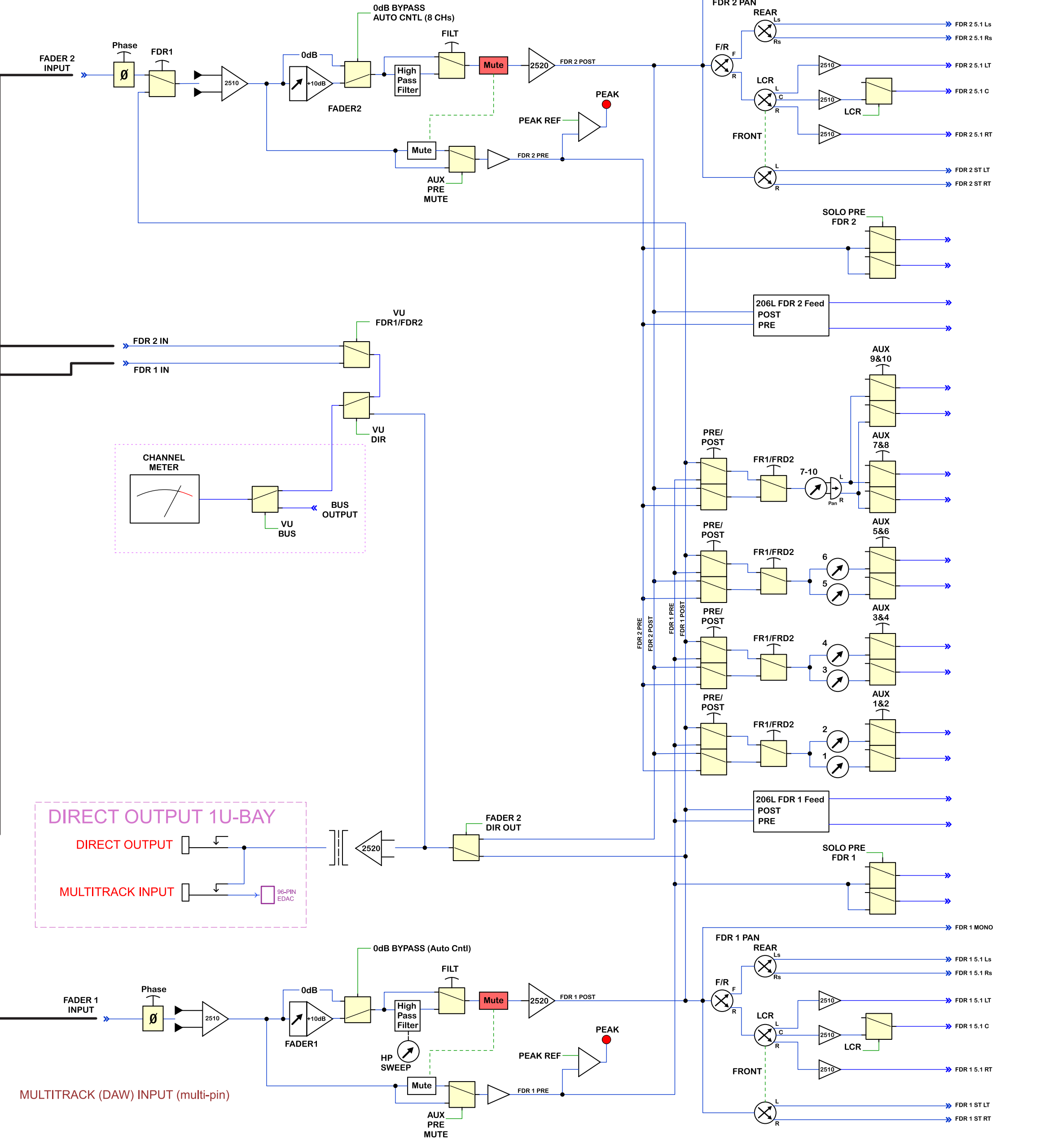


PATCHBAY



950-0474

INPUT MODULE



951-5740