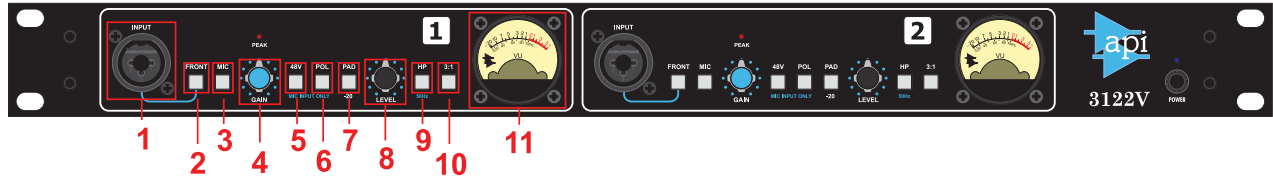


3122V 2-CHANNEL MIC/LINE PRE-AMP USER GUIDE

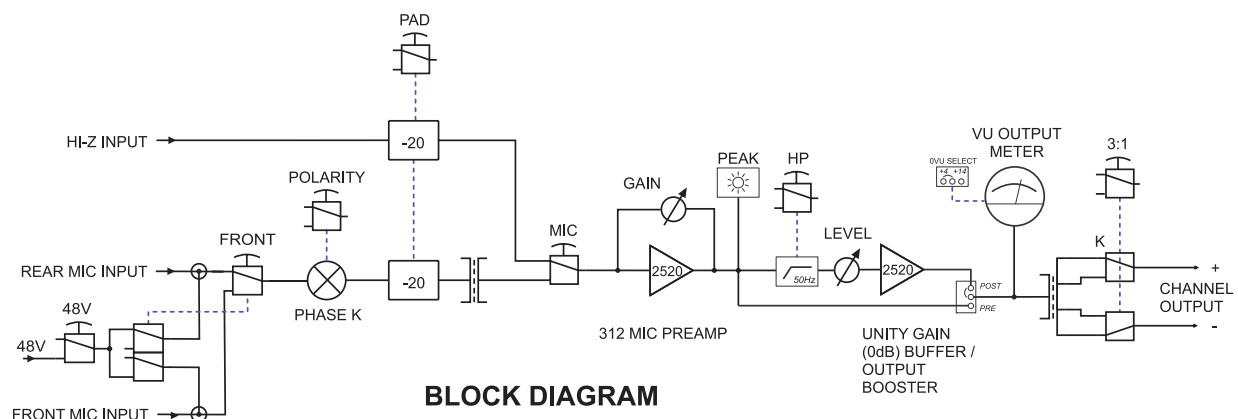
The API 3122V is a compact, high-quality 2-channel preamplifier. It artfully combines API's proprietary transformers and the 2520 op-amp, creating a module that delivers the classic API sound while exhibiting the reliability, long life, and uniformity which is characteristic of all API products.



FEATURES:

1. Front panel XLR (mic) input / Hi-Z 1/4 inch (instrument) combo input, rear panel XLR (mic) input and output.
2. Front XLR input source selector switch (the front XLR mic input is selected when engaged, rear when not).
The unselected XLR input source is disconnected from the preamplifier when not engaged.
The MIC switch must be engaged for either front or rear microphone input operation.
48V phantom power (if active) is automatically removed from the unselected microphone input.
NOTE: Strongly recommended to lower gain / level before switching inputs.
3. Switchable input selector: when engaged - XLR (mic) input active, when disengaged - Hi-Z 1/4 inch (instrument/line) input active.
4. Gain control: Mic preamp with gain range +34 dB to +68 dB (+14 dB to +48dB w/ pad)
Instrument / line preamp with gain range +14 dB to +48 dB (-6 dB to +28dB w/ pad).
5. 48V phantom switchable power.
6. Polarity switch inverts polarity of mic input signal.
7. Pad switch (applies to XLR [mic] and Hi-Z 1/4 inch [line/instrument]) reduces input signal by 20 dB.
8. Variable output level control knob (full clockwise rotation = unity gain).
9. High-pass filter switch (50Hz, 12dB/octave).
10. 3:1 output transformer tap selector: when engaged - reduces output gain ratio from 1:3 to 1:1 (appx. 10 dB), when disengaged - output gain ratio 1:3.
11. VU meter for monitoring output level (default 0VU = +4dBu, switchable to +14dBu with internal jumper)

The API 3122V also comes with API's Five Year Warranty



Specifications

Input Impedance:	Mic: 1500 Ohms Hi-Z: 470 kOhms unbalanced
Output Impedance:	Less than 75 Ohms, transformer balanced
Nominal Levels:	XLR channel output: +4 dBu
Frequency Response:	+/-0.5dB, 20 Hz to 40 kHz
SNR:	Mic: -128dB Hi-Z actual: -106dB
Gain Range:	Mic input 14 dB min., 68 dB max (inc. pad) Hi-Z input -6 dB min., 48 dB max (inc. pad)
Metering:	VU calibrated for XLR output, 0VU = +4 dBu PEAK LED calibrated to +18dBu at 312 amp output
Connections:	Front: two female mic input XLRs, two Hi-Z instrument inputs Rear: two female mic input XLRs, two male line output XLRs
Power Consumption, Quiescent:	8 Watts
Size:	19" X 1.75" (1U) X 11" deep
Size (Boxed for Shipping):	23.25" X 6.5" X 16.5"
Actual Weight:	9 lbs.
Shipping Weight:	13 lbs.