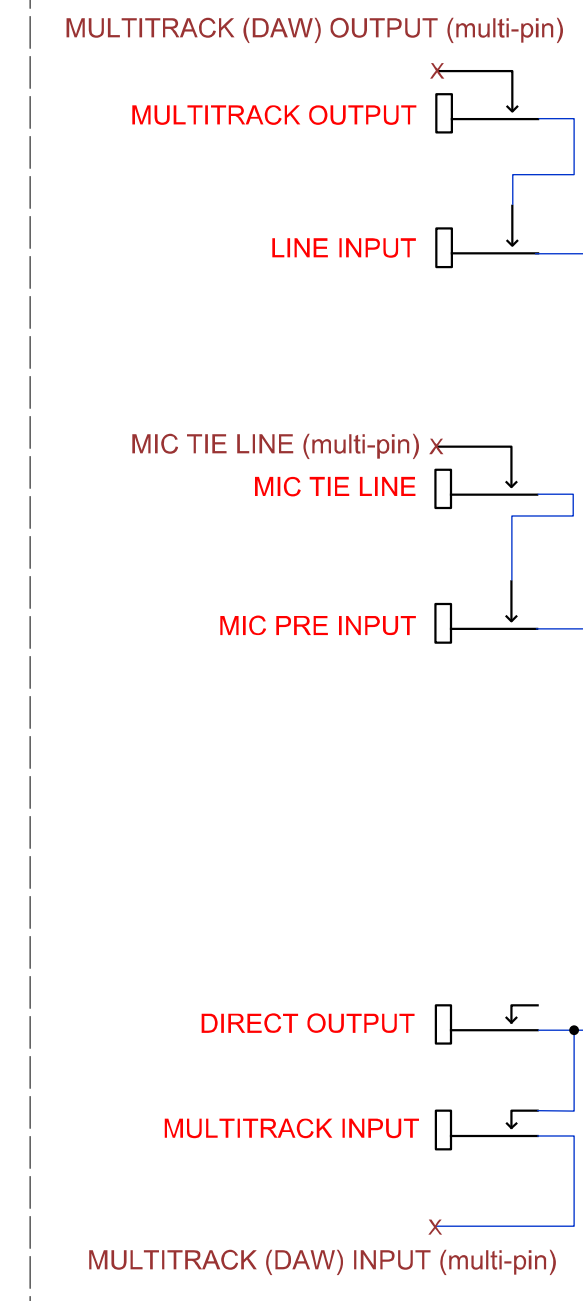


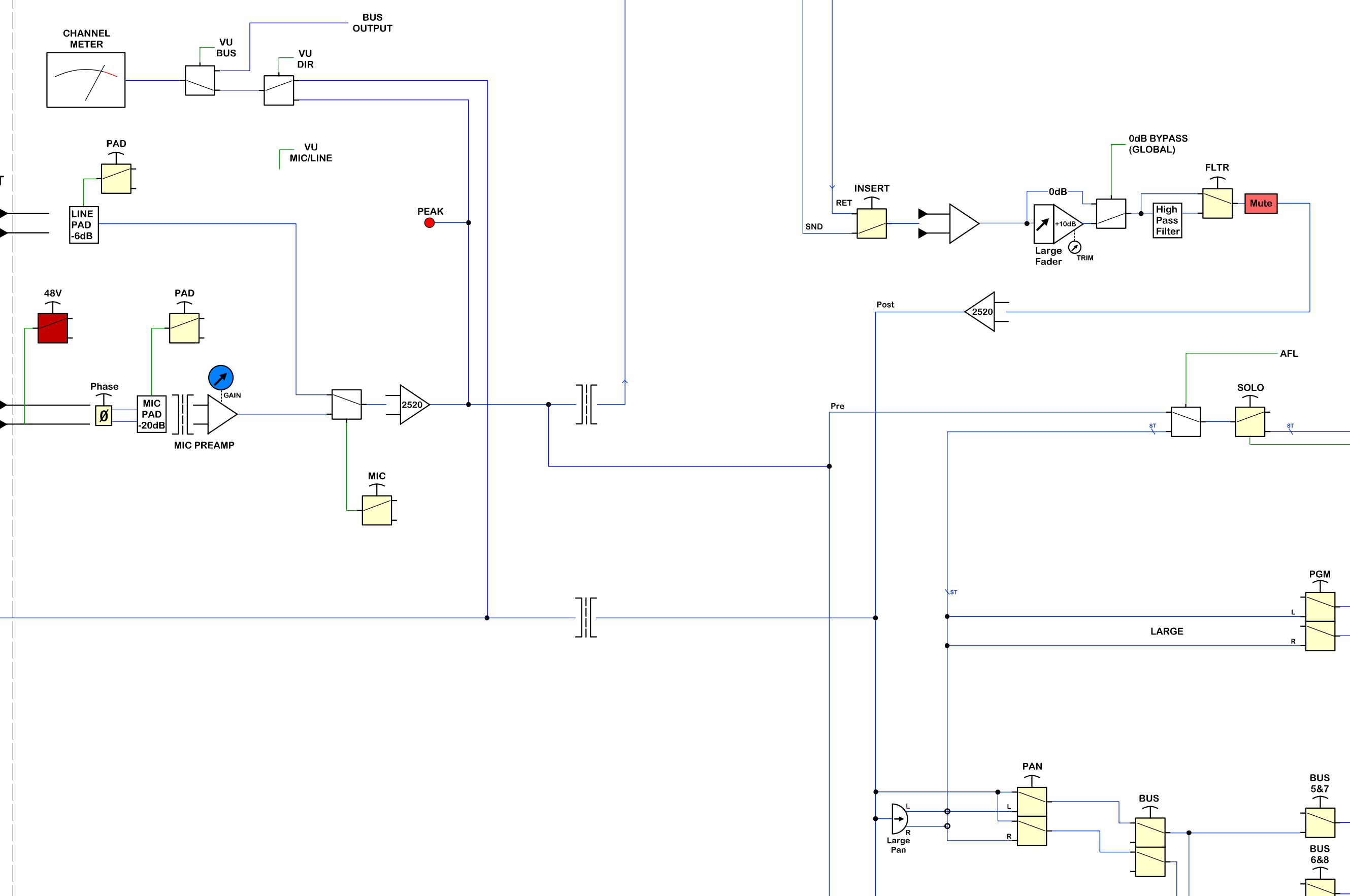


API 1608-II Block Diagram

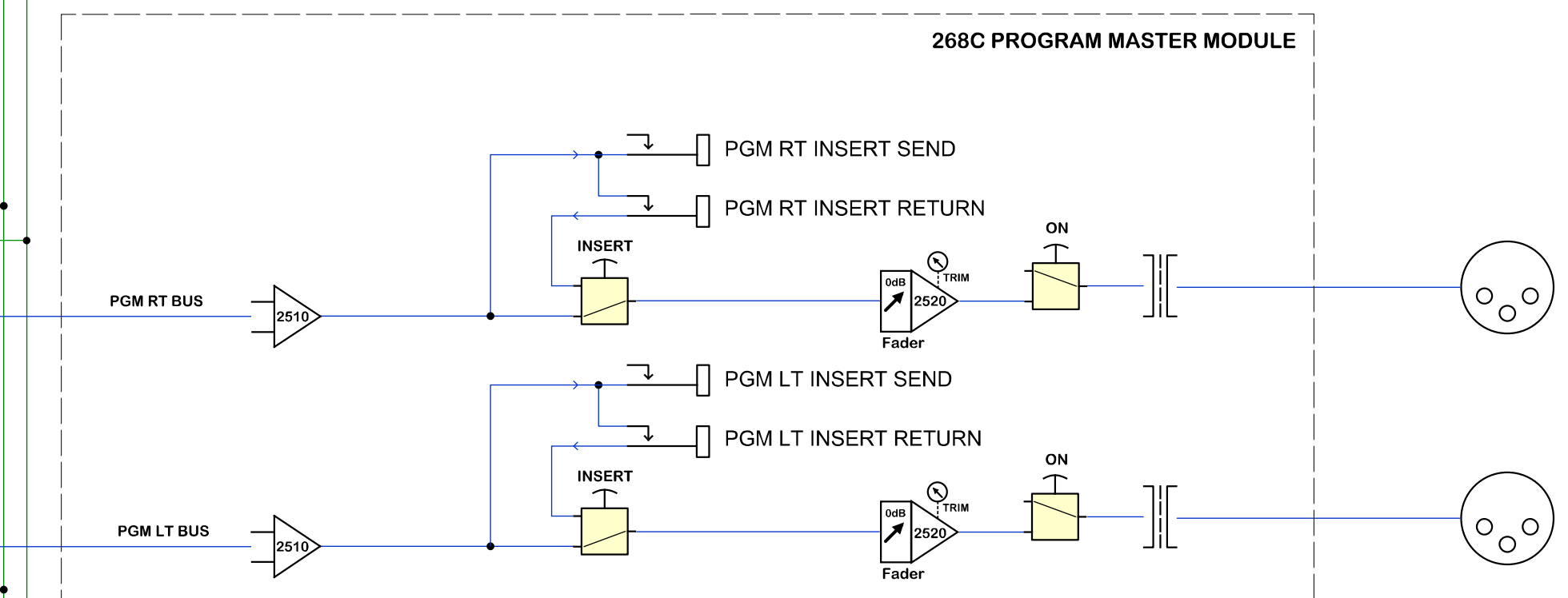
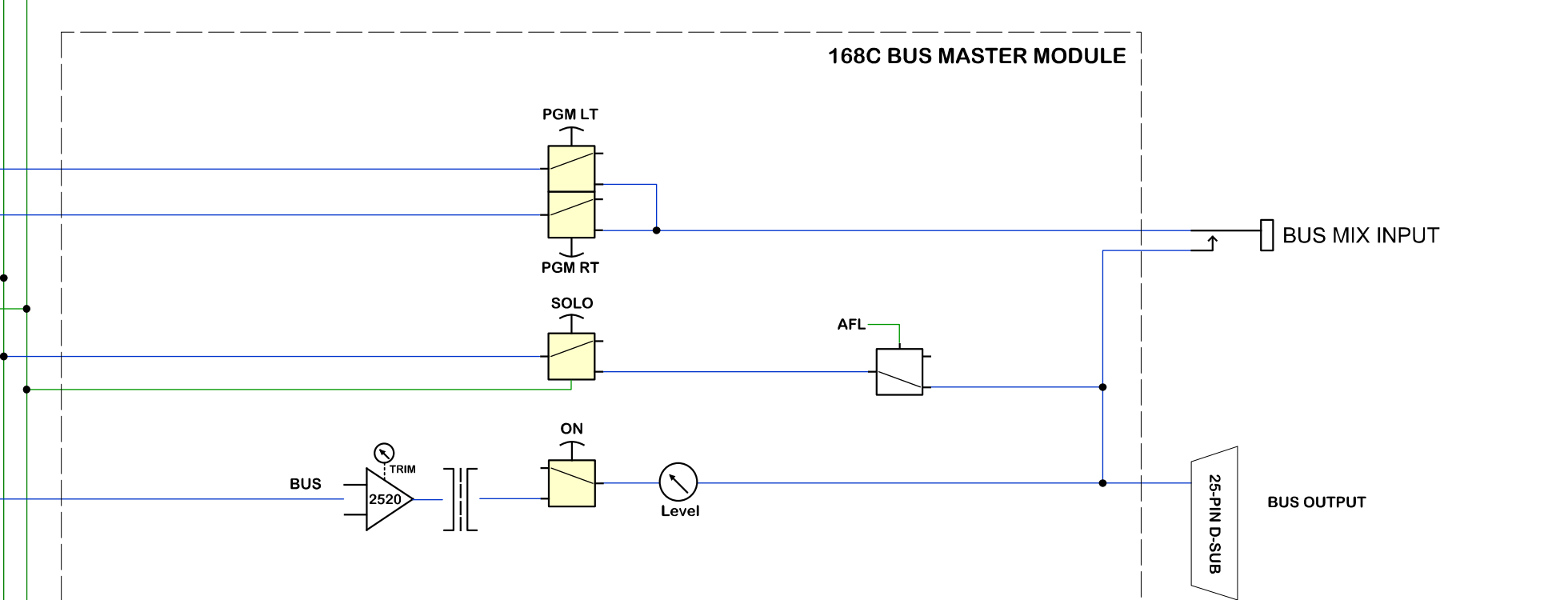
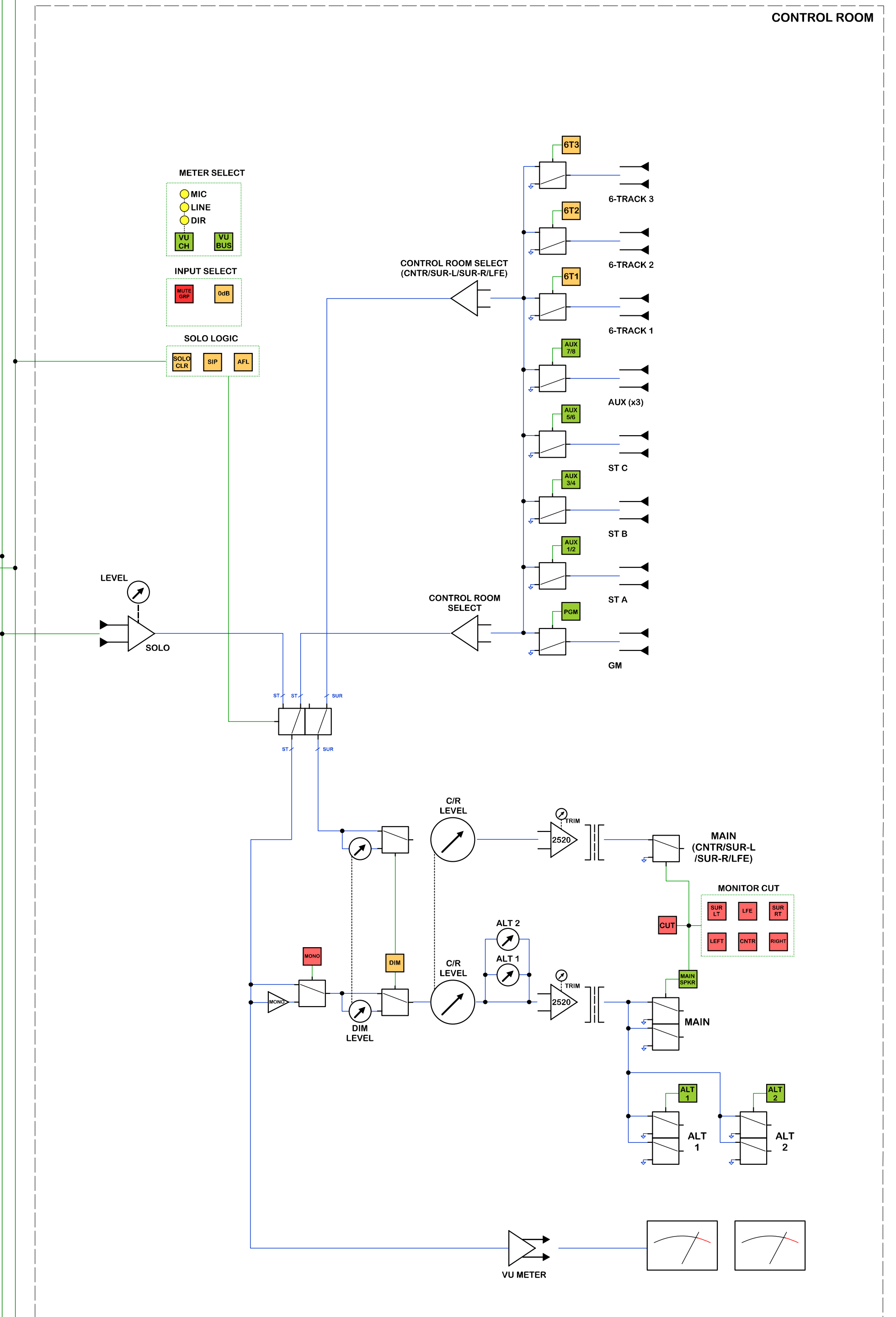
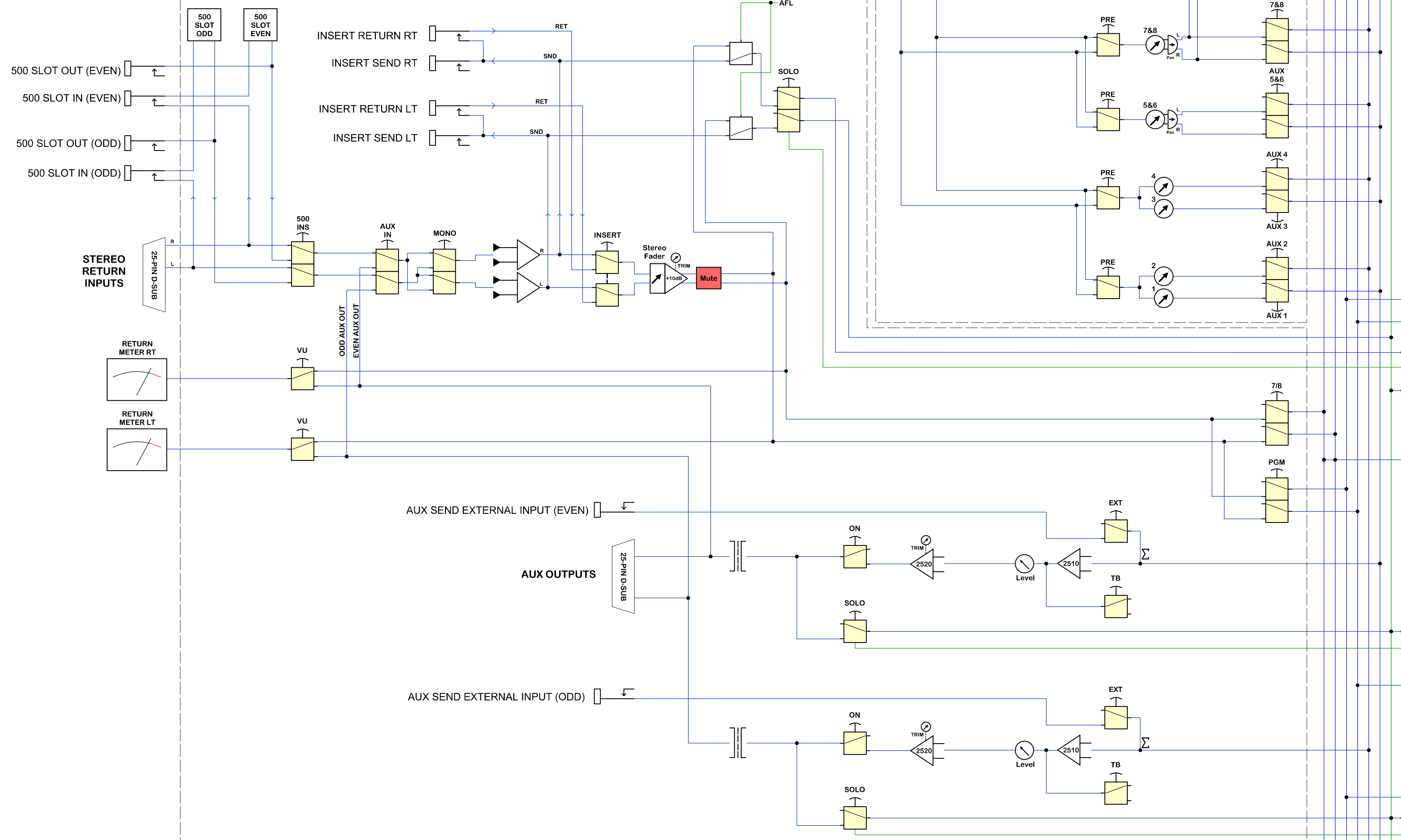
OPTIONAL PATCHBAY CONNECTIONS



548C INPUT MODULE



265C STEREO RETURN & AUX MASTER MODULE



Odd Bus (4)
Even Bus (4)
Program Bus
AUX Bus (8)
Solo Bus
Solo Logic