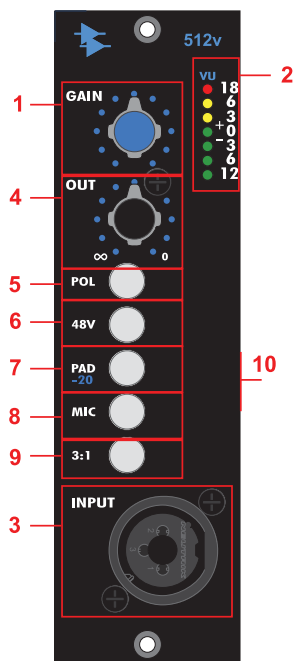




512v DISCRETE MIC / LINE PRE-AMP USER GUIDE



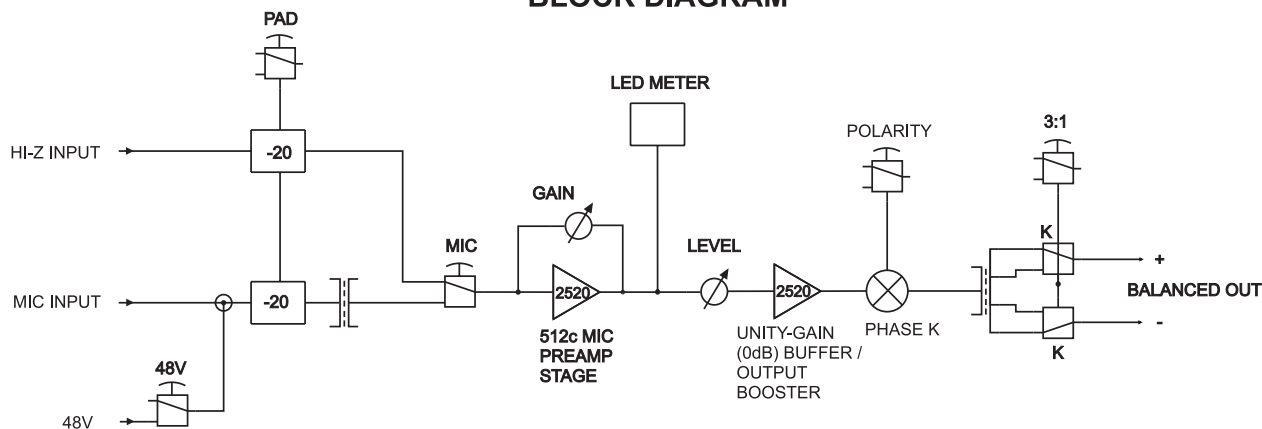
The API 512v is a highly musical, rich-sounding analog microphone / line / instrument preamplifier known for both its great-sounding front end and low noise generation in all sorts of audio applications. It artfully combines API's proprietary transformers and the 2520 op-amp while exhibiting the reliability, long life, and uniformity which is characteristic of all API products.

FEATURES:

1. Gain control: Mic preamp with gain range +34 dB to +65 dB, line/instrument preamp with gain range +14 dB to +42 dB
2. LED VU meter for monitoring output level
3. Front panel combo-style XLR (mic)/Hi-Z 1/4 inch (instrument/line) input connection
4. Variable output level control knob (full clockwise rotation = unity gain)
5. Signal polarity switch
6. 48V phantom switchable power
7. Pad switch (applies to XLR [mic] and Hi-Z 1/4 inch [line/instrument]) reduces input signal by 20 dB
8. Switchable input selector: when engaged - XLR (mic) input active, when disengaged - Hi-Z 1/4 inch (instrument/line) input active
9. 3:1 output transformer tap selector: when engaged - reduces output gain ratio from 1:3 to 1:1 (appx. 10 dB), when disengaged - output gain ratio 1:3
10. Internal rear connection selector jumper: when engaged - enables parallel rack rear input connection capability (XLR [mic] input only) (see page 2 for details)

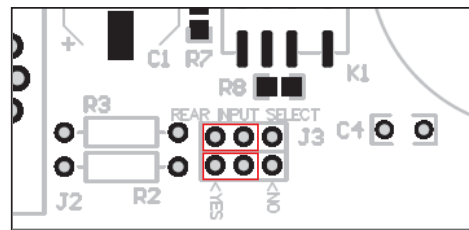
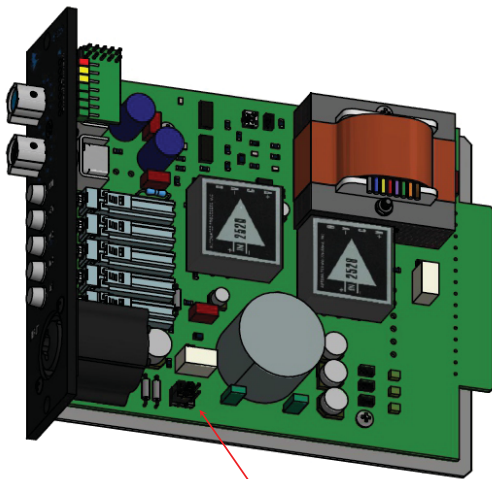
The API 512v also comes with API's unique Five Year Warranty.

BLOCK DIAGRAM



Specifications

Front & Rear Connectors:	Front: combo-style XLR/Hi-Z 1/4 inch Rear: Output on edge connector, mic input on edge connector, can be defeated
Gain Range:	Mic: 34dB to 65dB (14dB to 45dB w/PAD) Hi-Z: 14dB to 42dB (-6dB to 25dB w/PAD)
Maximum Input Level:	Mic: -4 dBu (+16 dBu with pad) Hi-Z input: +36 dBu
Input Impedance:	Mic: 1500 Ohms (150 Ohm mic) Hi-Z input: 400 kOhms (20 kOhms w/PAD)
Output Impedance:	Less than 75 Ohms, transformer balanced
Clipping Level:	+30 dBu
Frequency Response:	+0, -0.3, 20 Hz to 50 kHz
Signal to Noise Ratio:	120 dB
Power Consumption:	± 16 Volts/DC @ 90 mA
Size:	1.5" X 5.25" X 7" deep
Size (Boxed for Shipping):	4.5" X 6.5" X 10.25"
Actual Weight:	1.41 lbs.
Shipping Weight:	1.94 lbs.



10. Internal rear connection selector jumper: when engaged - enables parallel rack rear input connection capability (XLR [mic] input only) Shown in rear input ON position (default). Move both jumpers to the right or NO position to disable rear input.