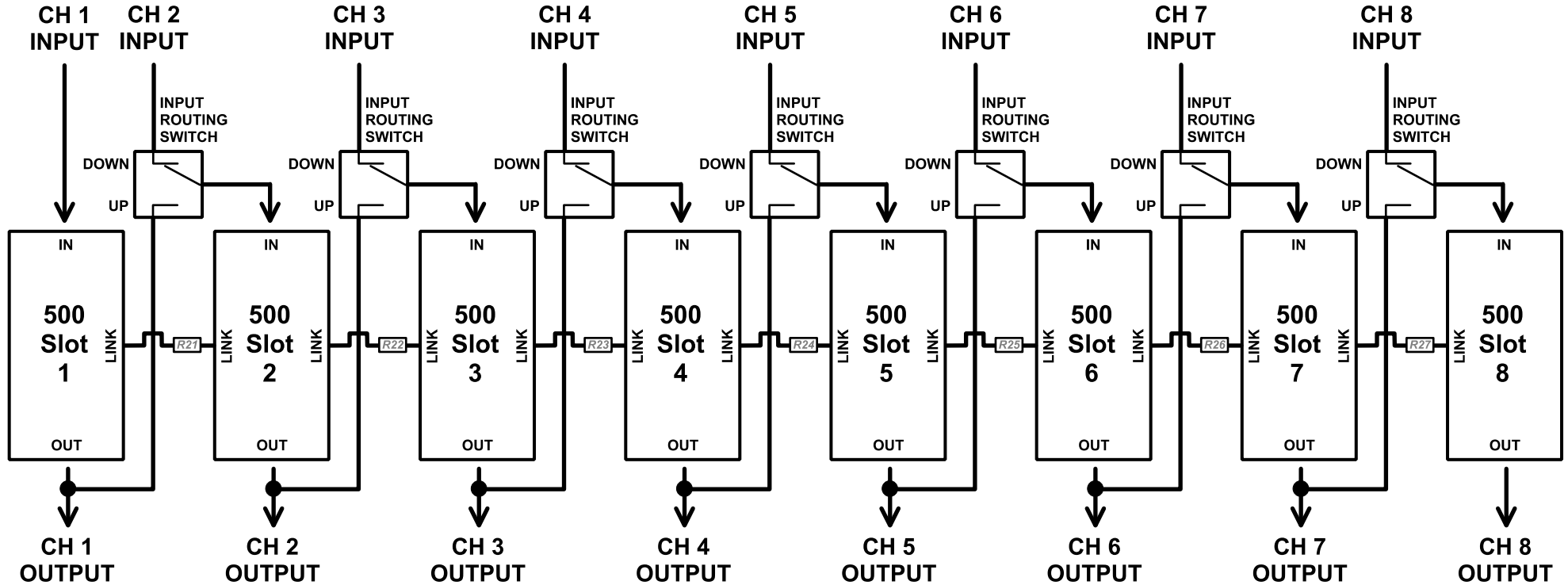


DB-25 TASCAM PINOUT

AUDIO INPUT 1-8
(DB-25 TASCAM PINOUT)

API 8-slot lunchbox Block Diagram



COMPRESSOR LINKING:

By default, all compressors are linked together in the 8-slot lunchbox using wire jumpers on the circuit board assembly. If the compressor module is not fitted with a "link" switch on the control panel and compressor linking is not desired, these jumpers must be removed in order to disable the feature. The 527 and JDK V12 compressors both have built-in "link" switches.

MODULE INPUT ROUTING:

The 8-slot lunchbox is equipped with seven input routing switches on the rear panel. When the switch is engaged (up position), the audio input of the selected module is switched from the D-Sub input connector to the audio output of the previous module. This feature is useful for creating custom channel strips with the lunchbox without excess cabling.

AUDIO OUTPUT 1-8
(DB-25 TASCAM PINOUT)