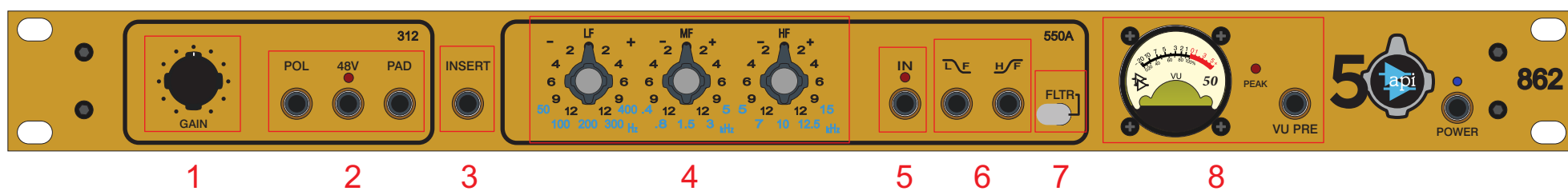




# 862 50<sup>TH</sup> ANNIVERSARY EDITION CHANNEL STRIP MIC PREAMP AND EQ USER GUIDE

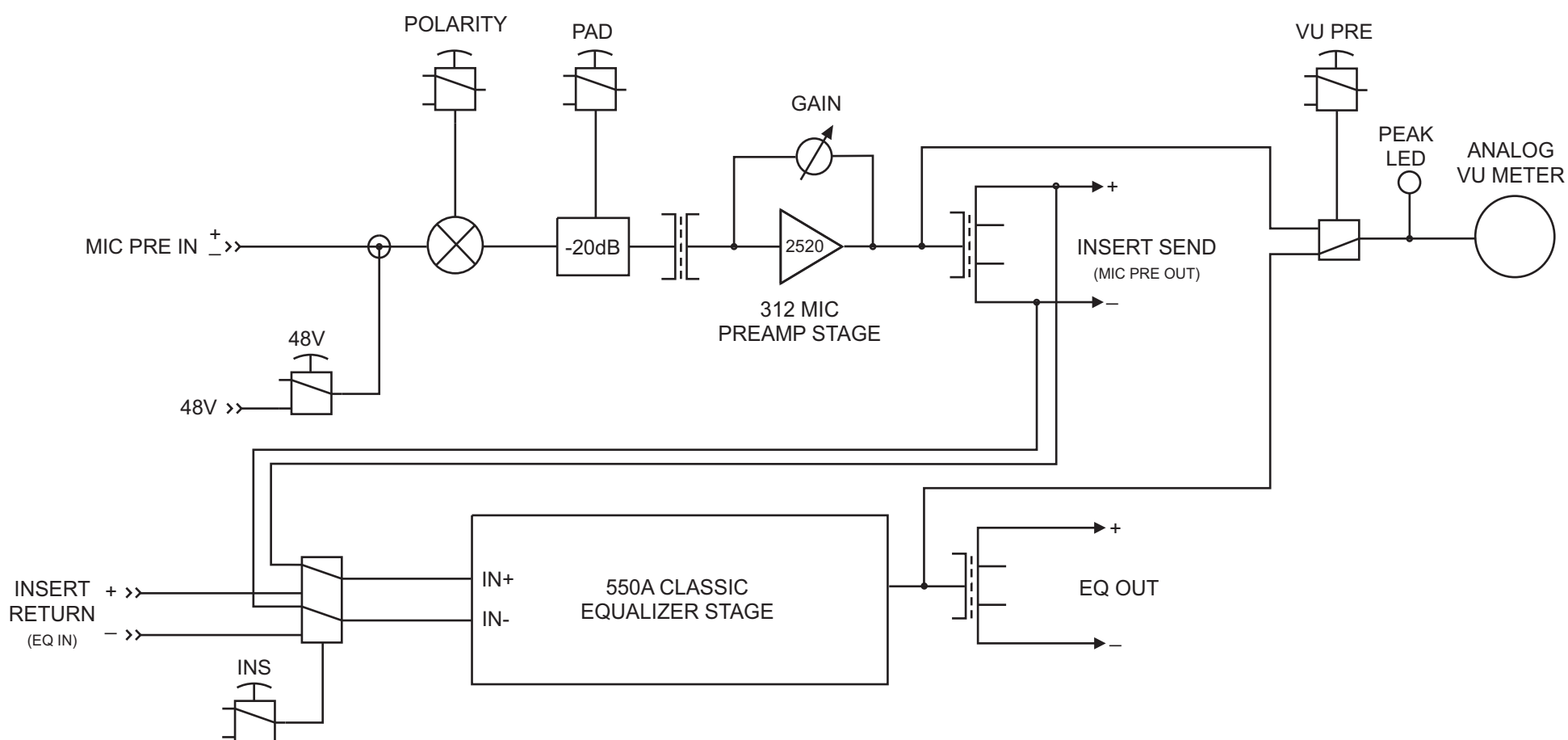
The API 862 50th Anniversary Edition Channel Strip is a faithful representation of the original 312 mic-preamp and the 550A 3 band EQ used in API consoles from the 1970s combined into a 1U rack-mount format. We have taken the original 500 series designs of API founder Saul Walker's original 312 and 550A PCBs and merged them into this standalone compact package while still maintaining the classic API sound, reliability, long life, and uniformity that is characteristic of all other API products.



## FEATURES:

1. 35 dB of adjustable microphone input gain
2. Polarity flip, 48 V phantom power, and 20 dB pad switches
3. Insert switch to activate rear EQ input connection for 550A EQ section instead of 312 output
4. 3 bands of EQ in discrete steps to a maximum of 12 dB boost or cut and 5 frequencies per band
5. 550A EQ IN switch
6. High and Low bands shelf/peak selection switches
7. Switchable band pass filter toggle switch
8. Vintage style analog VU meter (0VU = +4dBu) and peak LED (+18 dBu), selectable 312 or 550A output

## BLOCK DIAGRAM



# Specifications

**Gain Range:** +34 dB to +69 dB (+14 dB to +49 dB with PAD)

**Maximum Input Level:** +4 dBu (+16 dBu with PAD)

**Maximum Output Level:** +31 dBu

**Peak LED:** Set to +18 dBu output level

**Output Impedance:** Less than 75 Ohms, transformer balanced

**Frequency Response:** +/-0.5 dB, 20 Hz to 40 KHZ

**Signal to Noise Ratio:** 120 dB

## **550A EQ Specifications:**

### **Three Dual Concentric Rotary Switches:**

LF select: 50, 100, 200, 300, 400 Hz and stepped degree of equalization -12 dB to +12 dB

MF select: 400, 800, 1500, 3000, 5000 Hz and stepped degree of equalization -12 dB to +12 dB

HF select: 5000, 7000, 10K, 12.5K, 15K Hz and stepped degree of equalization -12 dB to +12 dB

Push Button: Equalization In or Out, LED on when In

Push Button: LF range Peak or Shelf

Push Button: HF range Peak or Shelf

Toggle Switch: 50 Hz to 15 KHZ band-pass filter In or Out

**Power Consumption:** 18.5 Watts

**Size:** 19" x 1.75" (1U) x 11" deep

**Size (Boxed for Shipping):** 23.25" x 6.5" x 16.5"

**Weight:** 8.5 lbs

**Shipping Weight:** 12.1 lbs