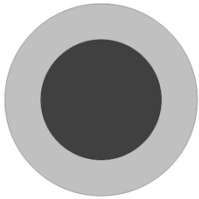


Side Chain Input

The 2500 provides access to the side chain to allow external keying of the gain reduction via the SIDE CHAIN input jack on the rear panel.

SIDE CHAIN



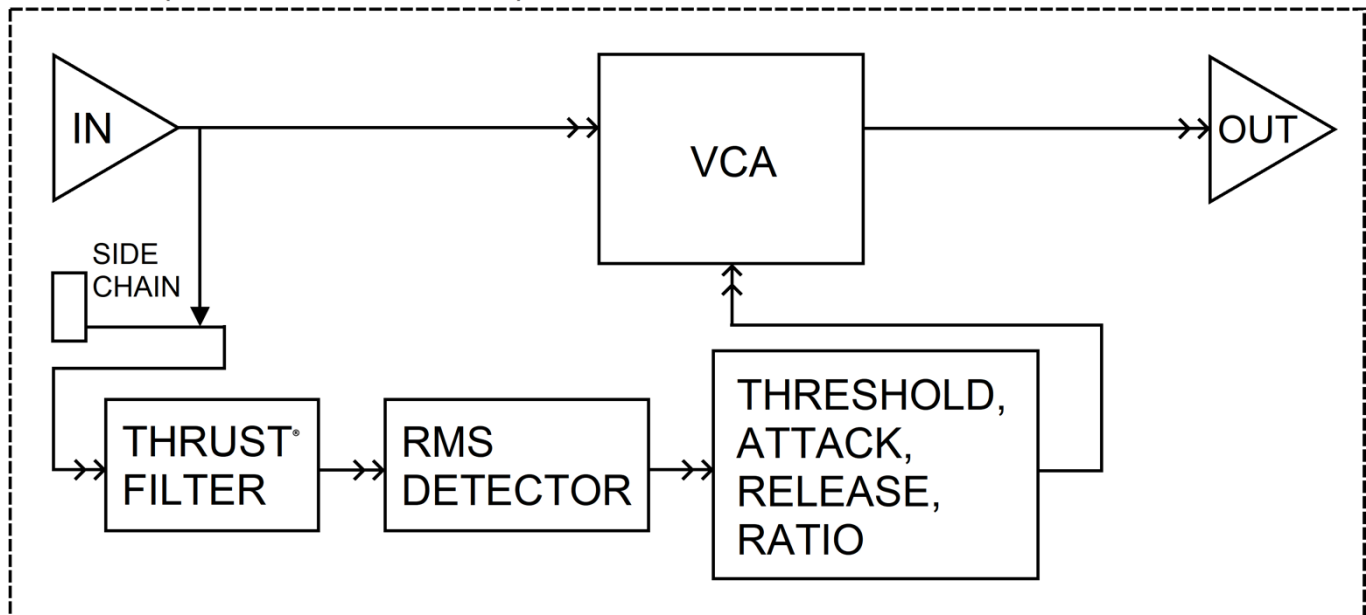
SIDE CHAIN: Balanced, line-level input

- 1/4" TRS connector
- Tip=+, Ring=-, Sleeve=ground

*NOTE: Only active when **TYPE** is set to NEW.*

When the **TYPE** control is set to NEW, the signal arriving at the INPUT connector is routed to the RMS detector via the SIDE CHAIN input jack. When a plug is not inserted in the SIDE CHAIN input jack, the input signal continues to the RMS detector. When a plug is inserted the SIDE CHAIN input jack, the input signal is replaced with the external signal.

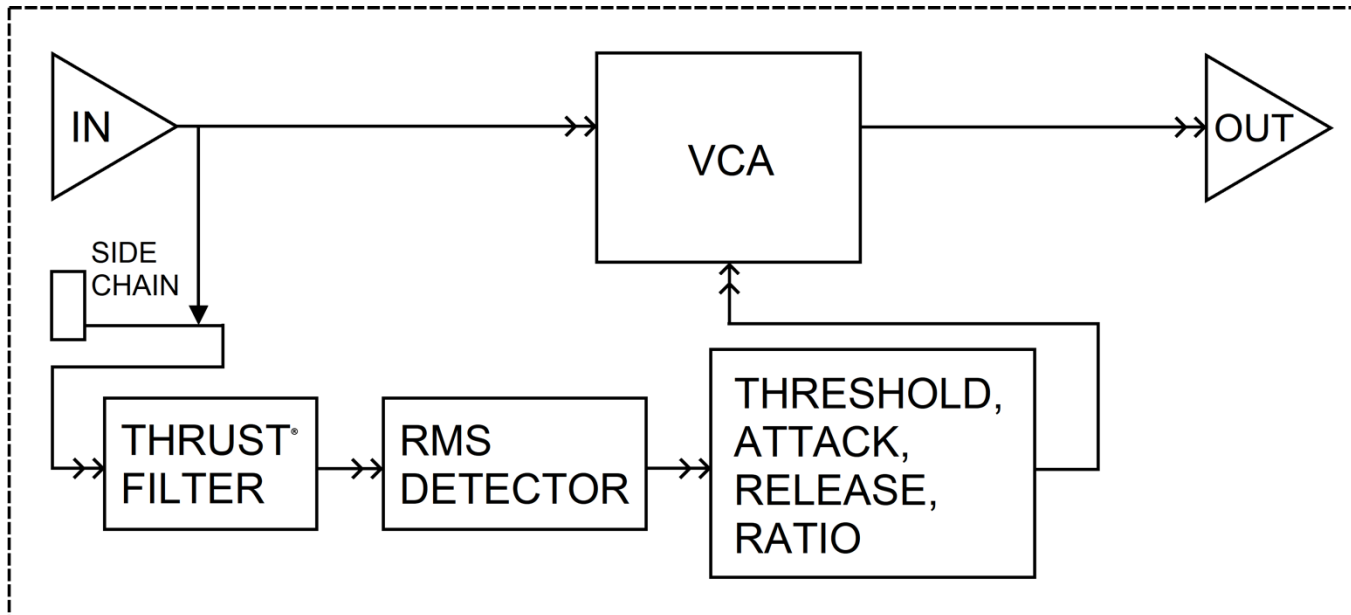
"NEW" (FEED-FORWARD) COMPRESSION



NEW (Feed-Forward)

In a feed-forward compressor, the RMS detector normally gets its signal from a split of the input signal. (The detector path can alternately get its signal from a SIDE CHAIN input jack.) With this method, the RMS detector sends a signal to the VCA that is an exact ratio of the desired compression set by the RATIO control. This is how many new VCA based compressors work. This can yield more aggressive compression and a harder, more affected sound.

- The yellow LED illuminates when engaged



OLD (Feed-back)

In a feed-back compressor, the RMS detector gets its signal from the output of the gain reduction device (VCA). This is how older API 525, 1176 type, and 660 type compressors work. This yields a smoother, softer, more transparent sound.

- The green LED illuminates when engaged

