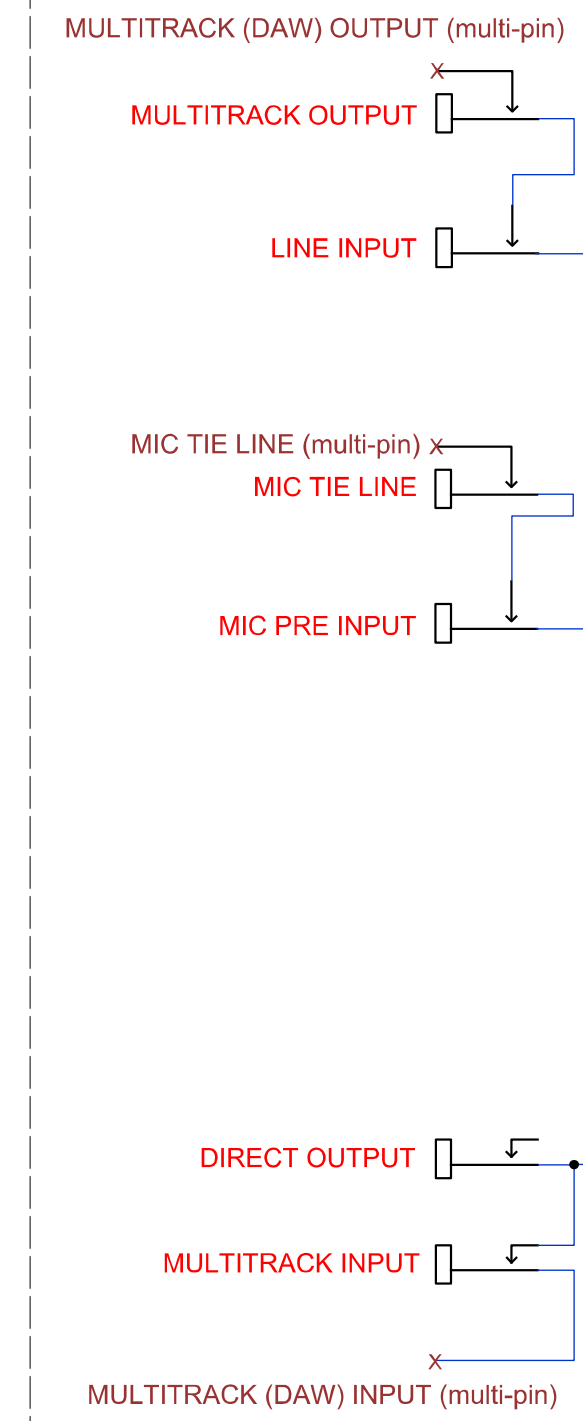
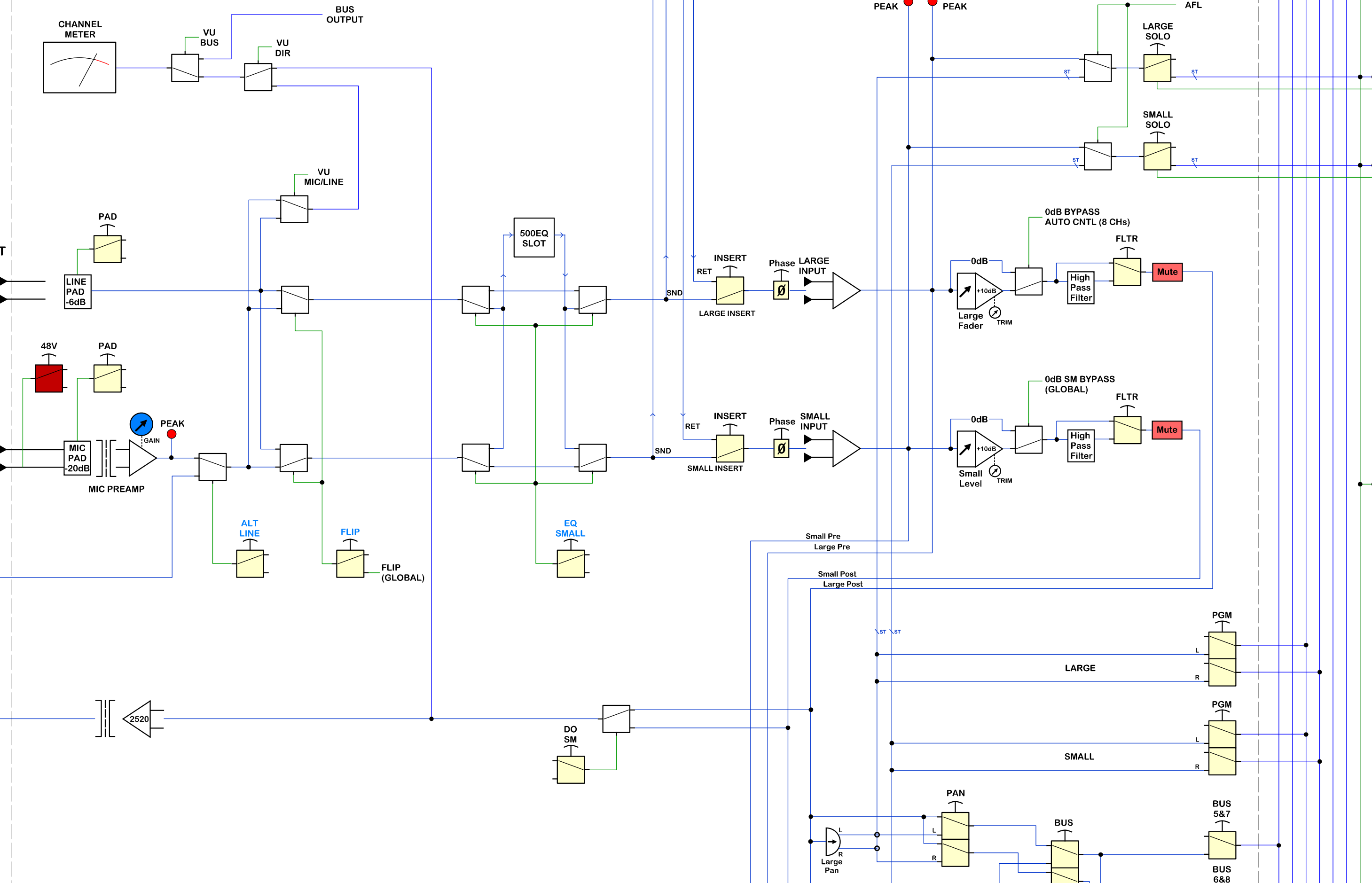


# API 2448 Block Diagram

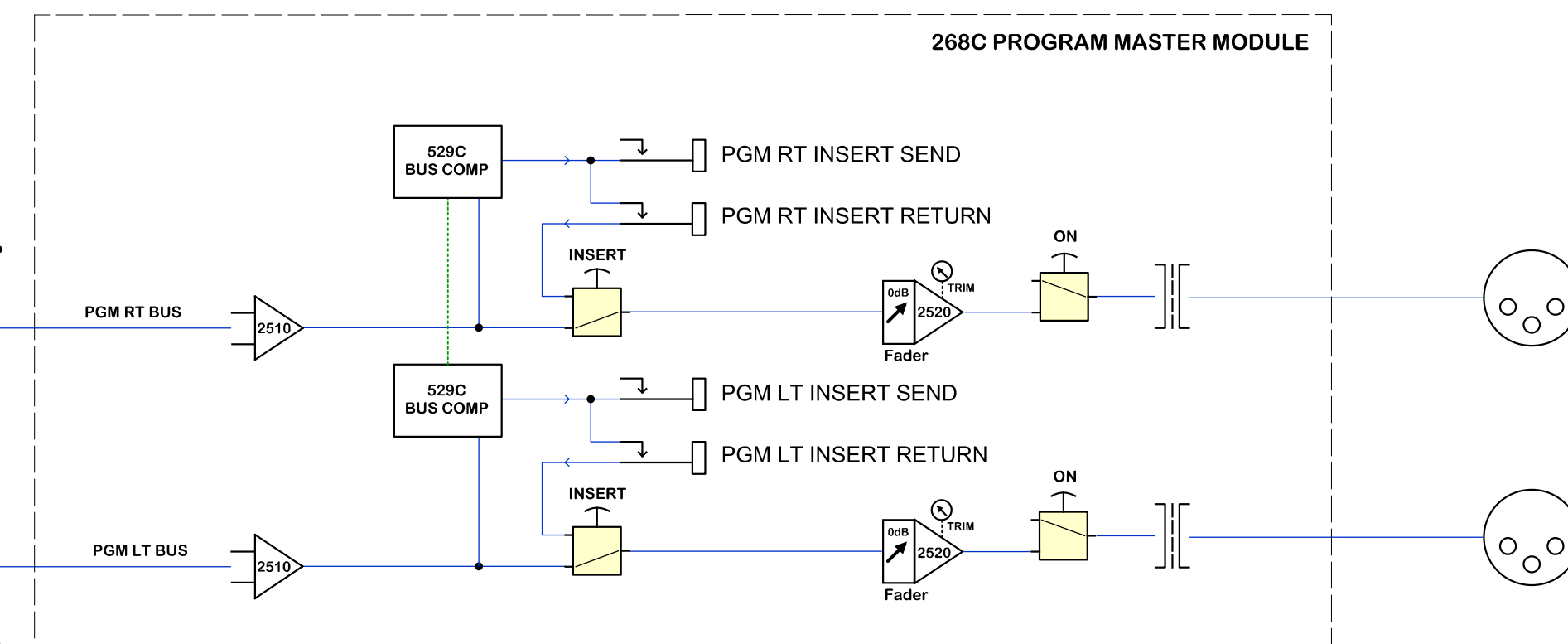
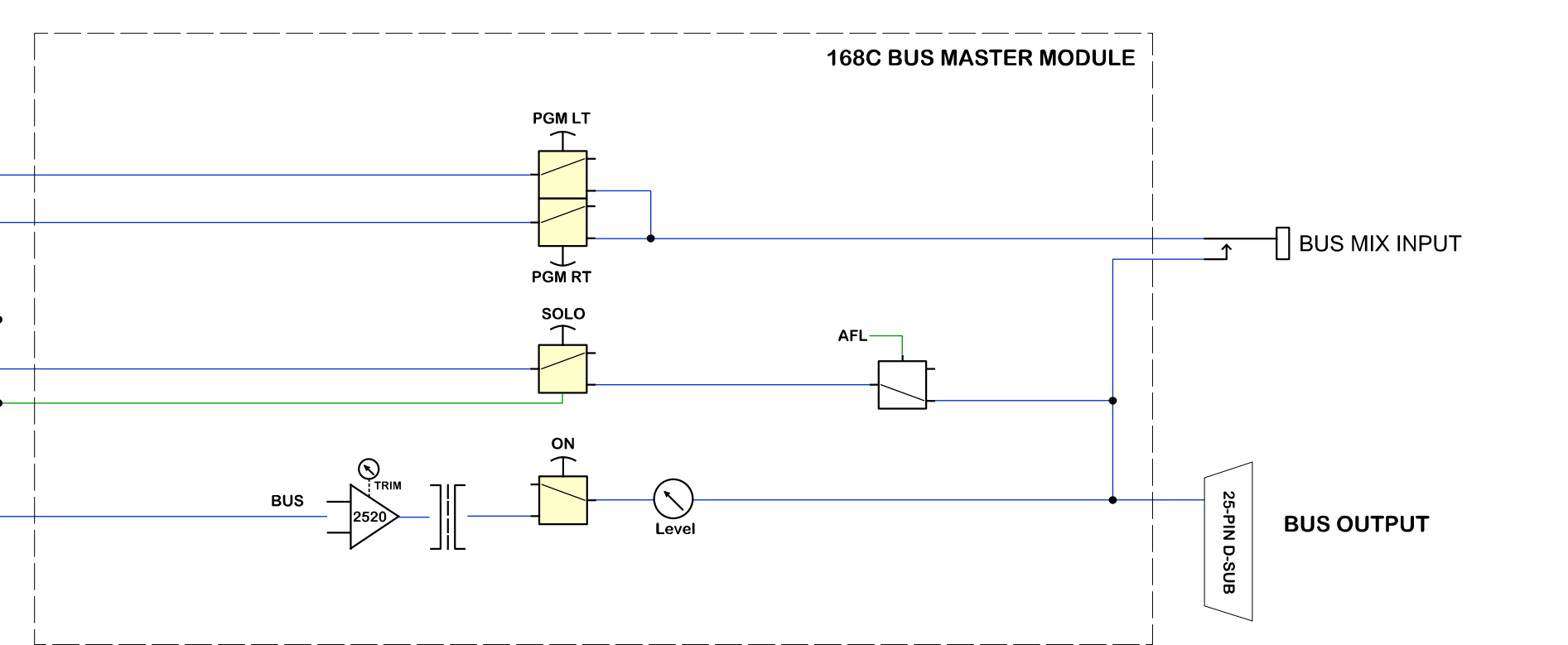
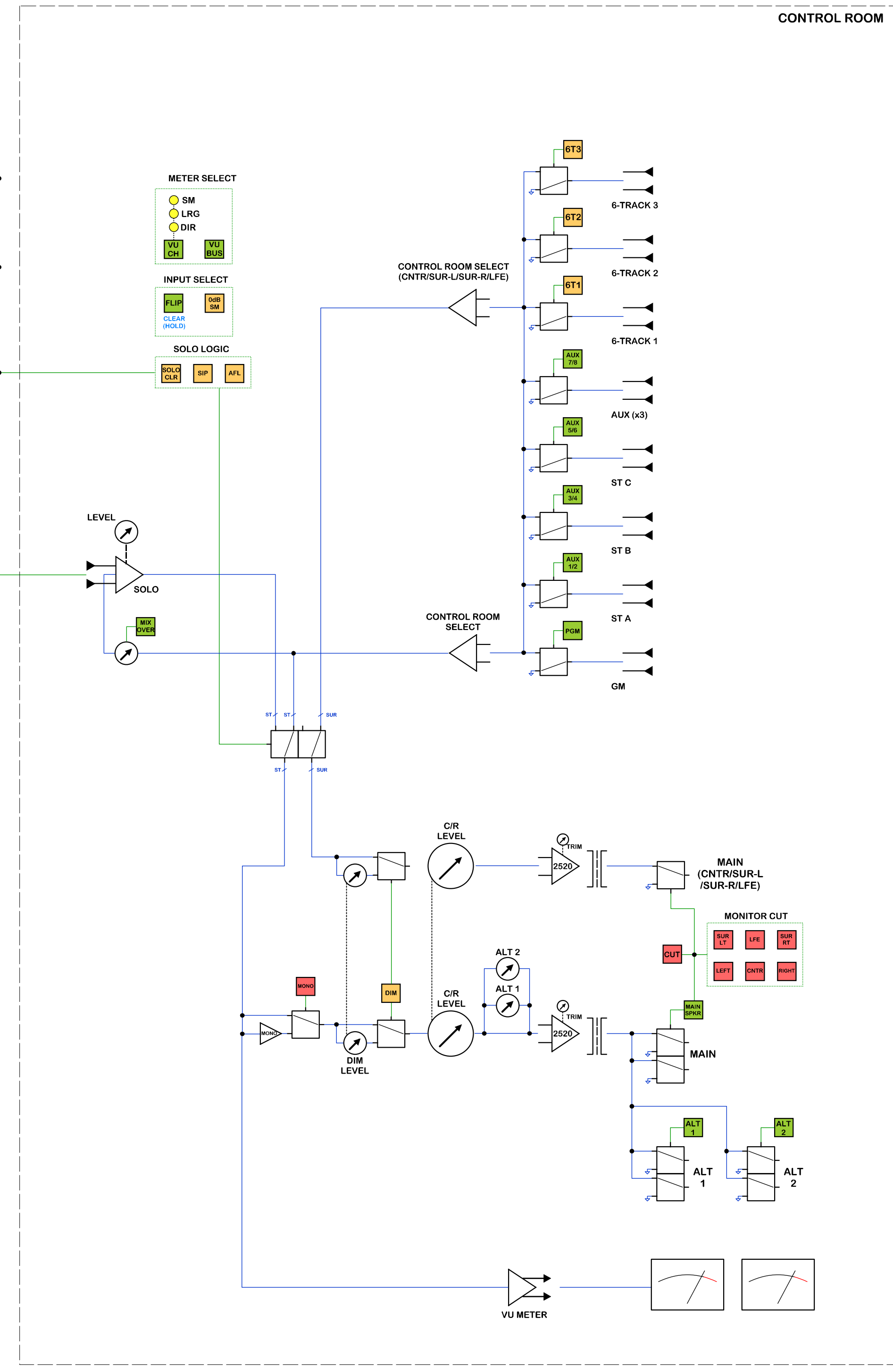
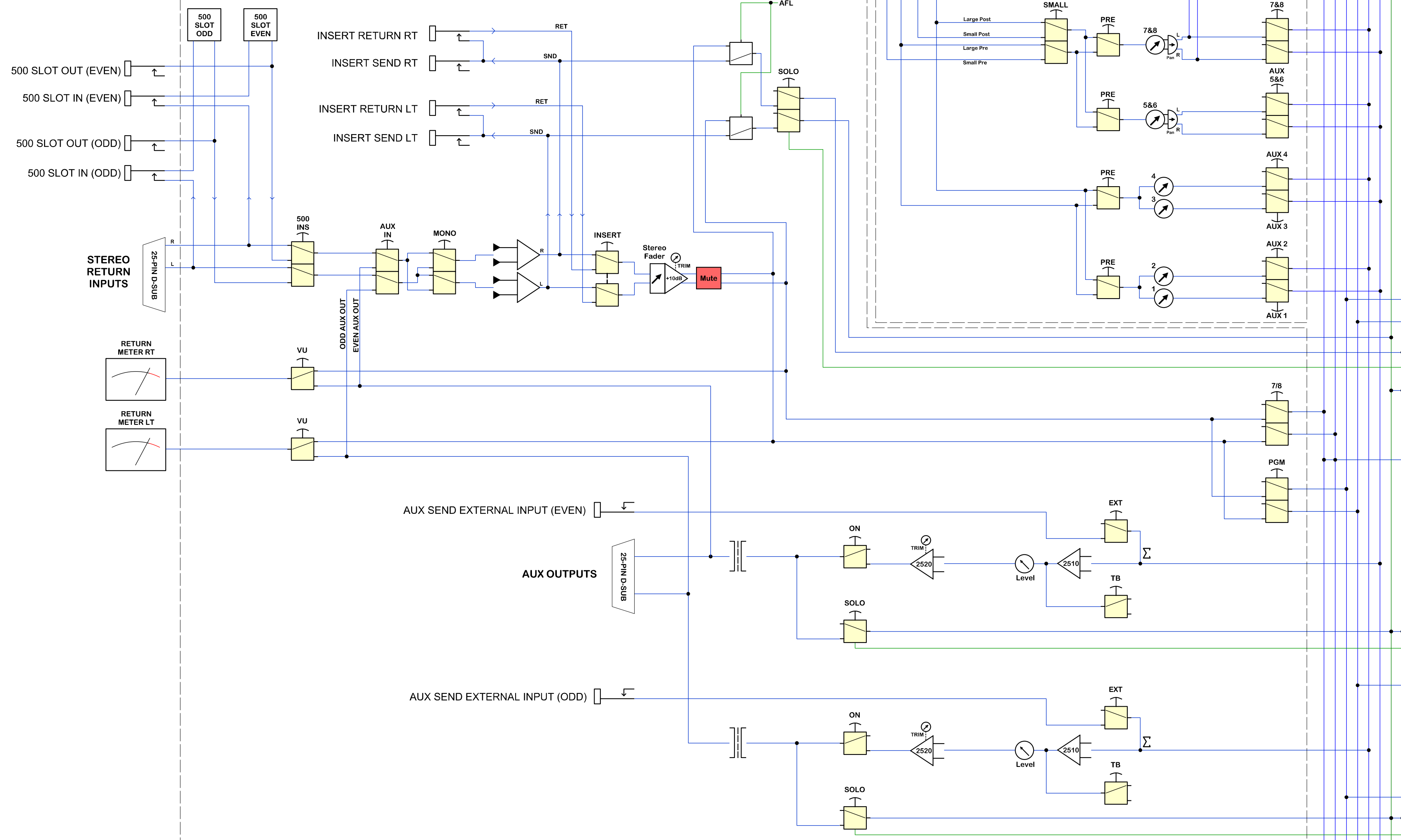
## OPTIONAL PATCHBAY CONNECTIONS



## 648C INPUT MODULE



## 265C STEREO RETURN & AUX MASTER MODULE



Odd Bus (4)  
Even Bus (4)  
Program Bus  
AUX Bus (8)  
Solo Bus  
Solo Logic