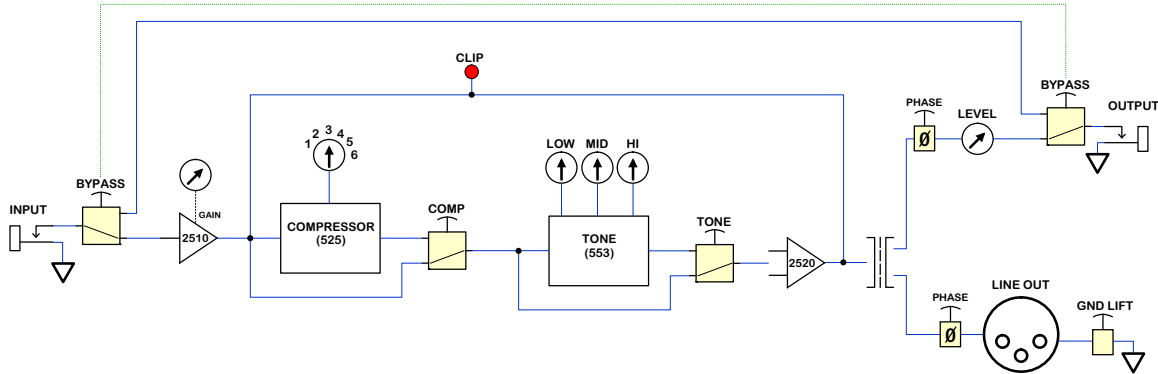


TRANZFORMER GT LX

BLOCK DIAGRAM



Balanced Line Out Bypass Note:

When bypass is engaged, we disconnect the internal circuit from the input connector to eliminate any unwanted loading or interaction with the source from the internal circuit. The balanced output is generated by the API 2520 and transformer circuit. With the disconnection of the input, then there is obviously no way to generate the balanced output. Please refer to the block diagram for further details.

COMPRESSOR (Ratio setting 2:1):

	Threshold (Int Level)	Make-Up Gain	Thru-Level
1	-15dBu	0dB	-4dB
2	-21dBu	2dB	-2dB
3	-25dBu	4dB	0dB
4	-29dBu	10dB	+2dB
5	-34dBu	14dB	+4dB
6	-40dBu	18dB	+6dB

COMPRESSOR CURVES (Internal level vs Output level)

