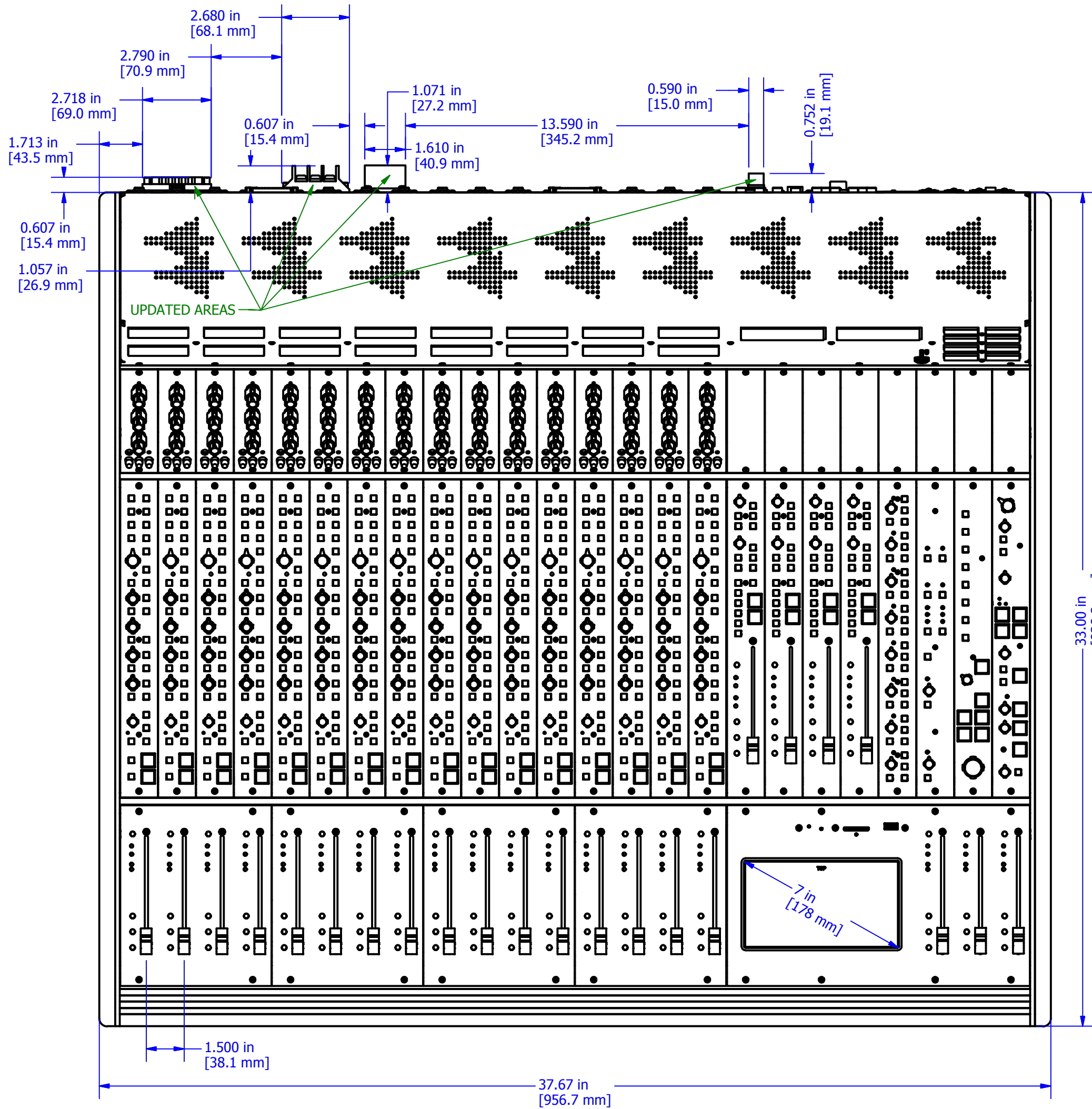


EXCEPT AS MAY BE OTHERWISE PROVIDED BY CONTRACT, THESE DRAWINGS AND SPECIFICATIONS ARE THE PROPERTY OF AUTOMATED PROCESSES, INC., AND ARE ISSUED IN STRICT CONFIDENCE AND SHALL NOT BE REPRODUCED OR COPIED, OR USED AS THE BASIS FOR THE MANUFACTURE OR SALE OF APPARATUS WITHOUT PERMISSION.

REVISION HISTORY				
ZONE	REV	DESCRIPTION	DATE	APPROVED
	-	RELEASE	5/11/2018	JKR
	-	UPDATE MODEL. ADD CALLOUT FOR UPDATED AREA(S). ADD OVERALL DIMENSIONS.	8/6/2018	JKR



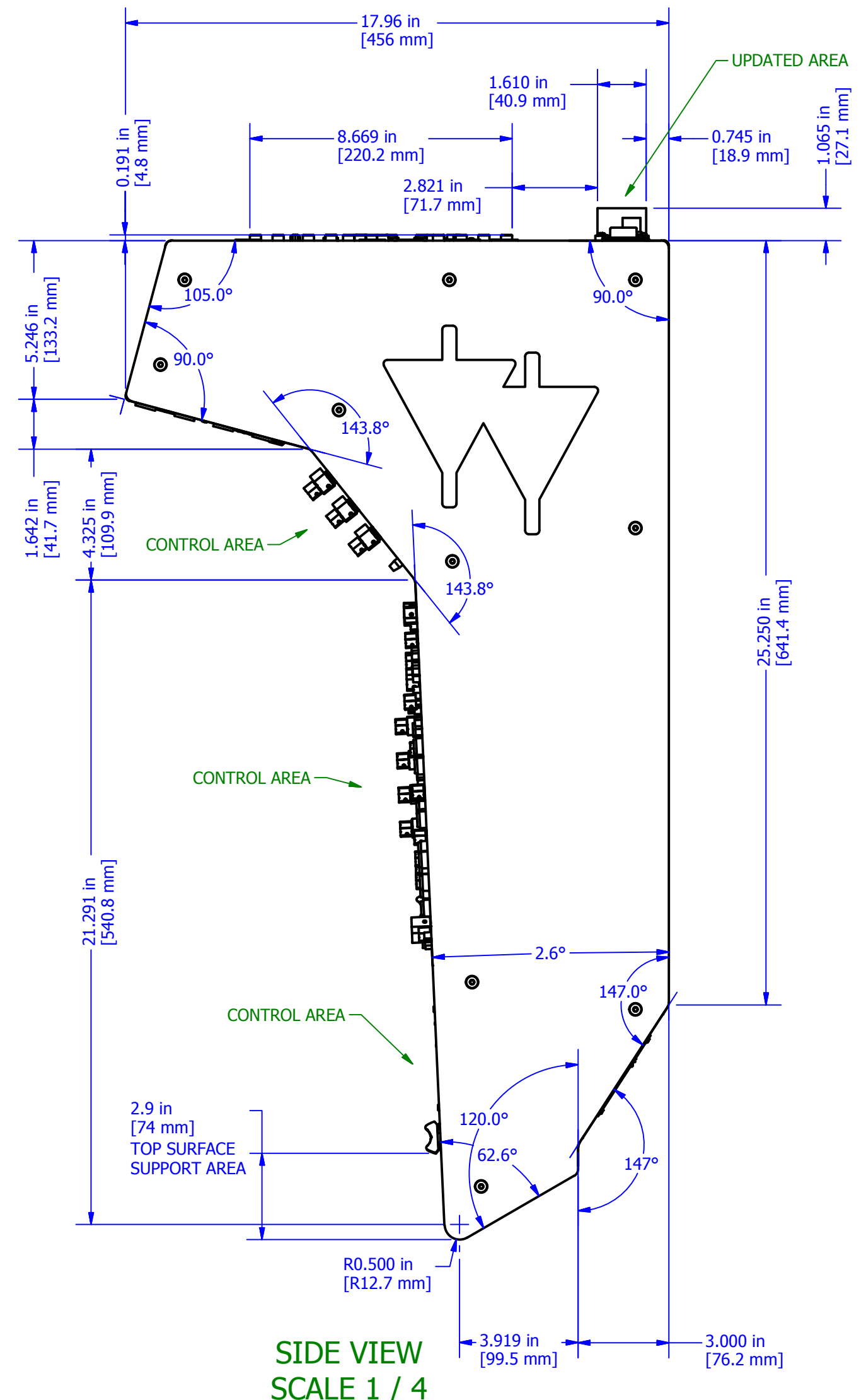
TOP VIEW
SCALE 1 / 4

WEIGHT
 STANDARD FRAME: 230 LBS
 EXPANSION FRAME: 165 LBS
 32 CHANNEL FRAME: 390 LBS

ROAD CASE PART NUMBERS
 STANDARD FRAME: 853-0015
 EXPANSION FRAME: 853-0014

SHIPPING CRATE PART NUMBERS
 STANDARD FRAME: 853-0015
 EXPANSION FRAME: 853-0016
 32 CHANNEL FRAME: 853-0017
 48 CHANNEL FRAME: 853-0018

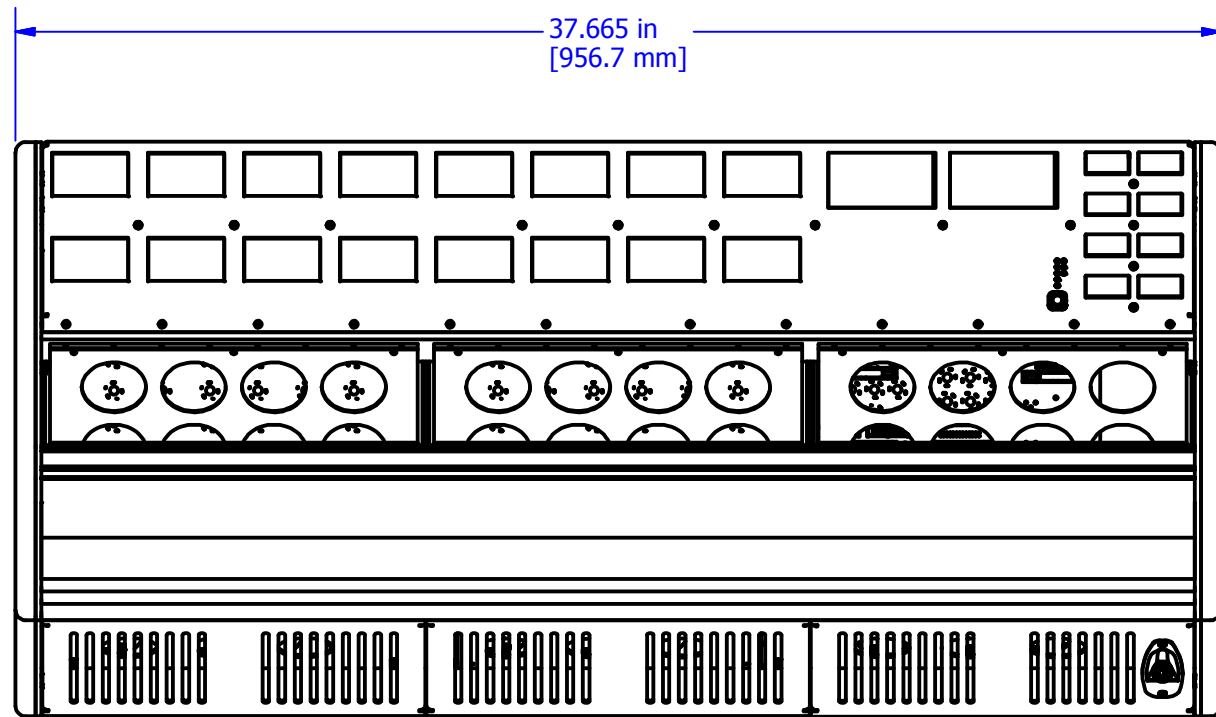
PLEASE OBSERVE REAR SUPPORT CONNECTOR CUTOUTS
ENSURE THAT TRANSPORT CASES/CRATES DO NOT CONTACT THE LABELED CONTROL AREAS



SIDE VIEW
SCALE 1 / 4

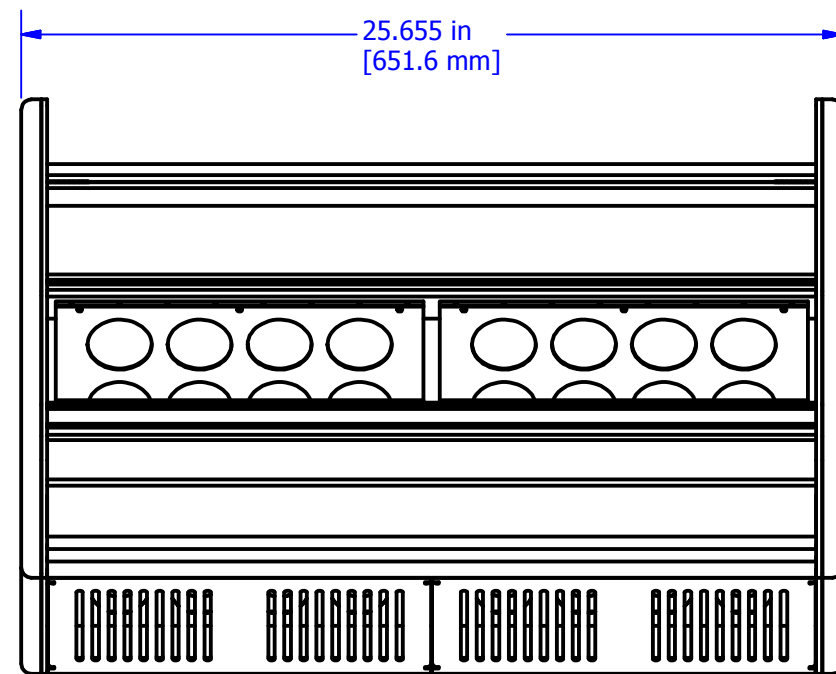
TOLERANCES UNLESS OTHERWISE NOTED FRACTIONS: +/- .XX = +/- 0.02 .XXX = +/- 0.005 ANGLES = +/- 1/2 <input type="checkbox"/> SEE SEPARATE PARTS LIST	DRAWN: jnchards DATE: 5/11/2018 CHECK: DATE APPVD: DATE MATERIAL	AUTOMATED PROCESSES, INC. 8301 PATUXENT RANGE ROAD, JESSUP, MD 20794 301 776 7879	TITLE: 1608-II DIMENSIONS	
	FINISH		SIZE: C DWG. NO.: 42-999-1530	REV: - SHEET: 1 OF 2

EXCEPT AS MAY BE OTHERWISE PROVIDED BY CONTRACT, THESE DRAWINGS AND SPECIFICATIONS ARE THE PROPERTY OF AUTOMATED PROCESSES, INC., AND ARE ISSUED IN STRICT CONFIDENCE AND SHALL NOT BE REPRODUCED OR COPIED, OR USED AS THE BASIS FOR THE MANUFACTURE OR SALE OF APPARATUS WITHOUT PERMISSION.



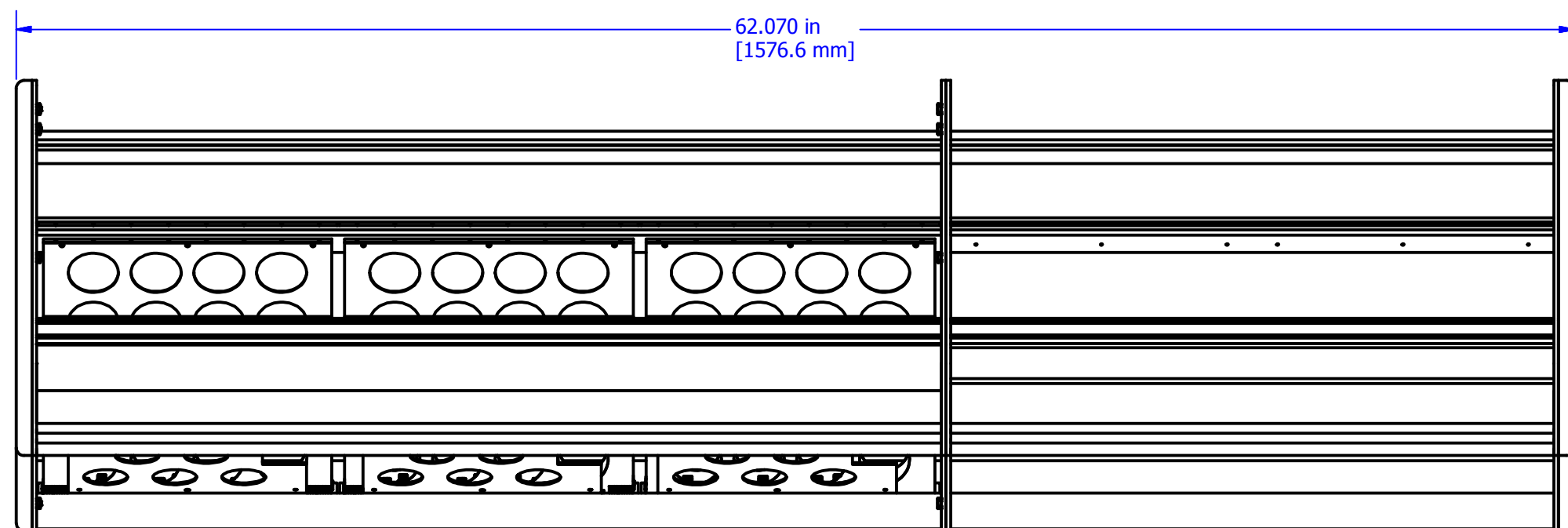
921-0530
STANDARD 16-CHANNEL FRAME

WEIGHT: 230 LBS
POWER SUPPLIES: 1
POWER DRAW*: 250 Watts / 853 BTU/hr
290 Watts / 990 BTU/hr Automated



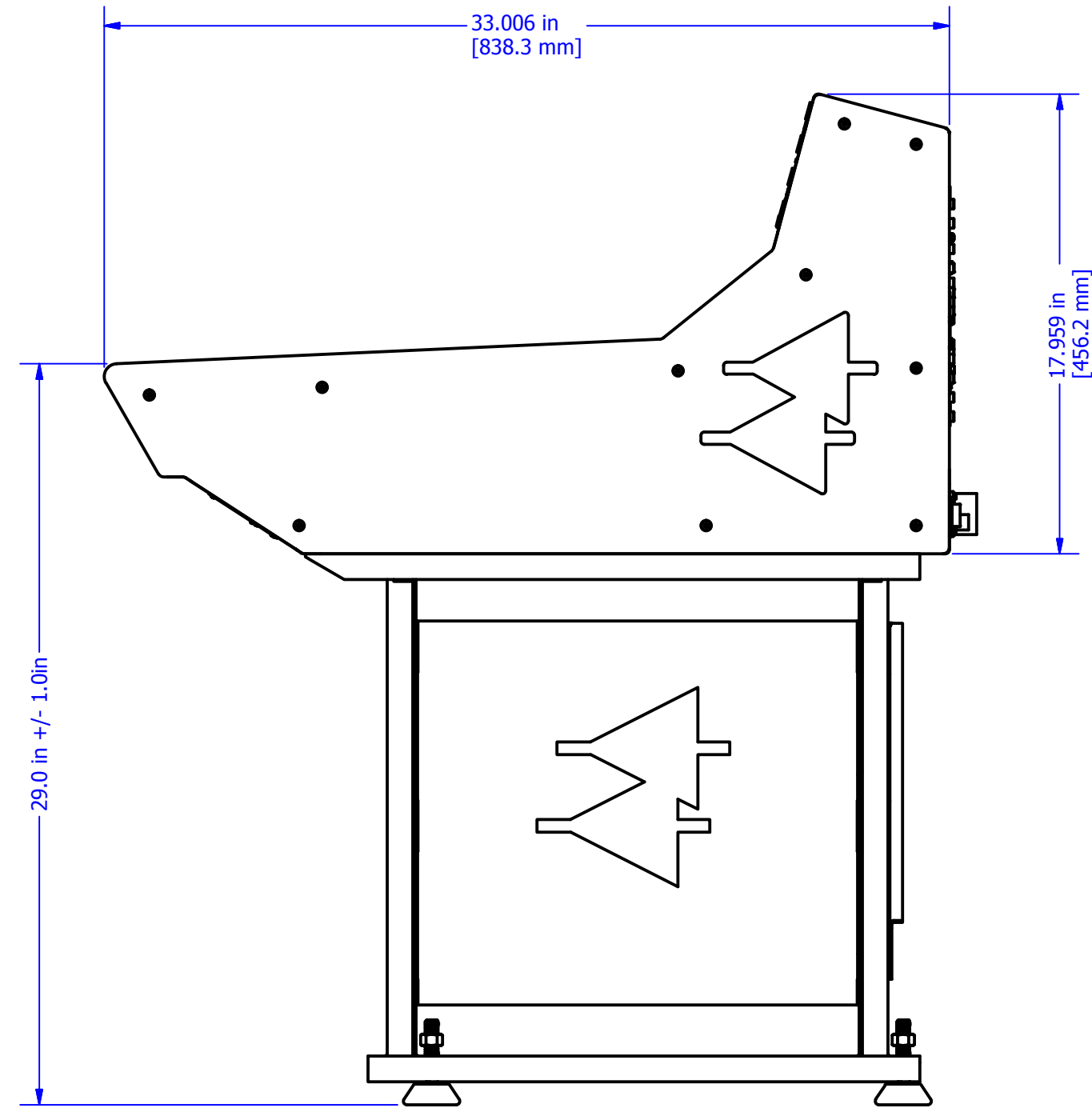
921-0531
16-CHANNEL EXPANDER FRAME

WEIGHT: 165 LBS
POWER SUPPLIES: 1
POWER DRAW*: 200 Watts / 682 BTU/hr
220 Watts / 750 BTU/hr Automated



921-0532
32-CHANNEL BOLT TOGETHER FRAME

* POWER DRAW GIVEN WITH STANDARD 500 EQ LOAD
POWER WILL CHANGE AS EQs ARE ADD, REMOVED, OR CHANGED



WEIGHT: 390 LBS
POWER SUPPLIES: 2
POWER DRAW*: 450 Watts / 1535 BTU/hr
510 Watts / 1740 BTU/hr Automated
Load Split 55% Main, 45% Expander

TOLERANCES UNLESS OTHERWISE NOTED FRACTIONS: +/- .XX = +/- 0.02 .XXX = +/- 0.005 ANGLES = +/- 1/2	DRAWN jnchards DATE 5/10/2018	AUTOMATED PROCESSES, INC. 8301 PATUXENT RANGE ROAD, JESSUP, MD 20794 301 776 7879	TITLE 1608-II DIMENSIONS				
	CHECK DATE						
	<input type="checkbox"/> SEE SEPARATE PARTS LIST	APPVD DATE	MATERIAL	FINISH	SIZE C	DWG NO. 42-999-1530	REV -

